



S4200-SI (R2) Series L2 Gigabit Access Switch

Product Overview

DCN S4200-SI (R2) series are cost-effective GbE standalone switches which provide enterprise-class access for campus and branch applications. These fully managed switches can provide advanced Layer 2 features as well as optional Power over Ethernet Plus (PoE+) power. Designed for operational simplicity to lower total cost of network, S4200 Series provide scalable, secure, and energy-efficient business network access with intelligent services.

Appearance	Description
 S4200-10P-SI	<ul style="list-style-type: none">● 8x10/100/1000Base-T+2x100/1000Base-X (SFP)● 1 console, 1 reset port● AC power supply● Switching capacity: 20Gbps● Forwarding rate: 14.88Mpps
 S4200-10P-PL-SI	<ul style="list-style-type: none">● 8x10/100/1000Base-T+2x100/1000Base-X (SFP)● 1 console, 1 reset port● PoE+, up to 70w● AC power supply● Switching capacity: 20Gbps● Forwarding rate: 14.88Mpps

Key Features and Highlights

Green Energy

S4200-SI series complies with **IEEE 802.3az** (Energy-Efficient Ethernet) standard, dramatically lower power consumption

With the **Innovative port-LED Shut-off** function, the user can automatically set the switch port-LED UP or DOWN at a specified period according to their needs to achieve functional, energy-saving correct results.

A full account of low noise requirements of the environment, S4200-SI uses **Fanless Design and Smart fan** strategies to real-time temperature monitoring system, and reduce the noise pollution.

Simple Operation and Maintenance

VCT, DDM (Digital Diagnostic Monitoring) and other features achieve rapid detection of the network failures; reduce operation and maintenance difficulty.

High Reliability

S4200-SI series support 4 Gigabit uplink ports, which could be designed to offer redundant uplinks with

various ring protection applications, effectively raised the expansibility and performance of network.

G.8032 provides sub-50ms protection and recovery switching for Ethernet traffic in a carrier ring topology. S4200-SI series support G.8032 v2 and can be deployed in a variety of complex network topologies including single ring, tangent ring, intersecting rings, double rings and other home networking

Abundant Multicast Features

S4200-SI series also support **MVR** (Multicast VLAN Register), selectively allows traffic to cross between different VLANs for bandwidth and security reasons. With MVR Trunk function, which could associate multicast VLAN to trunk port, S4200-SI series combines the VLAN data into the same link, saving lots of resources for users.

S4200-SI series could prevent multicast traffic from flooding via IGMP Snooping, while multicast traffic is only forwarded to ports associated to multicast devices.

Product Specifications

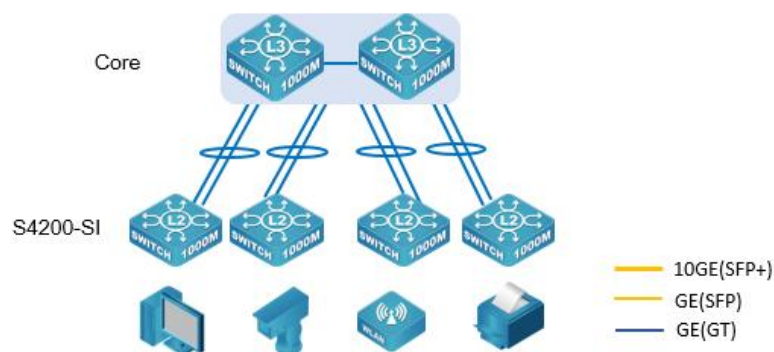
Item	S4200-10P-SI	S4200-10P-PL-SI
Ports	8 x 100/1000Base-T + 2 x 100/1000Base-X (SFP) Auto-MIDX	8 x 100/1000Base-T + 2 x 100/1000Base-X (SFP) Auto-MIDX
Performance		
Switching Capacity	20Gbps	20Gbps
Forwarding Rate	14.88Mpps	14.88Mpps
Flash	32M	32M
RAM	128M	128M
MAC ADDRESS	8K	
Jumbo Frame	10K	
ACL Table	1536	
Queues per port	8	
VLAN TABLE	4K	
Physical Features		
Dimension(W×H×D)	266mm x 43.6mm x 161mm	320mm x 43.6mm x 208mm
Power Input	100~240VAC, 50~60Hz	
Power Consumption	< 8w	Without PD: < 8w With PD: < 80w
Cooling	Passive	Passive
Temperature	Working 0°C~50°C, Storage -40°C~70°C	
Relative Humidity	5%~95%, non-condensing	
EMC Safety	CE, RoHS	
Main Features		
Forwarding	Storage and Forwarding	

Item	S4200-10P-SI	S4200-10P-PL-SI
VLAN	Port-based VLAN, IEEE802.1Q, private VLAN, Protocol VLAN, Voice VLAN, MAC VLAN Normal QinQ, Selective QinQ, Flexible QinQ VLAN Translation, N:1 VLAN Translation	
DHCP	IPv4/IPv6 DHCP Client, IPv4/IPv6 DHCP Relay Option 82, Option 37/38 IPv4/IPv6 DHCP Snooping, IPv4/IPv6 DHCP Server	
Reliability	Spanning Tree	802.1D STP, 802.1W RSTP, 802.1S MSTP Root Guard, BPDU Guard, BPDU Forwarding
	LACP	8 groups / 8 ports
	L2 Ring Protection	MRPP ERPS(G.8032) Loopback Detection Fast Link
Security	IP ACL, MAC ACL, MAC-IP ACL, User-Defined ACL Time Range ACL ACL rules can be configured to port, VLAN Storm Control based on packets and bytes Port Security, MAC Limit based on VLAN and Port Anti-ARP-Spoofing , Anti-ARP-Scan, ARP Binding ND Snooping IP Source Guard, Dynamic ARP Inspection IEEE 802.1x Authentication, Authorization, Accounting Radius, TACACS+	
Multicast	IGMP v1/v2/v3 snooping, IGMP Fast leave MVR MLD v1/v2 snooping IPv4/IPv6 DCSCM	
QoS	8 Queues Per Port Bandwidth Control Flow Redirect Classification based on ACL, VLAN ID, COS, TOS, DSCP Policing Based on Port and VLAN Single Rate single barrel double color for Policing Remark DSCP, COS/802.1p, Precedence, TOS SP, WRR, SWRR, DWRR for Scheduling Match the IP fragmentation of message	
Maintenance and Operation Management	TFTP/FTP CLI, Telnet, Console Web/SSL (IPv4/IPv6) SSH (IPv4/IPv6) SNMPv1/v2c/v3 SNMP Trap Public & Private MIB interface RMON 1, 2, 3, 9 Ping, Trace Route Syslog (IPv4/IPv6) SNTP/NTP (IPv4/IPv6) Multiple Configuration Files Port Mirror, CPU Mirror, RSPAN VCT, DDM ULDP(like Cisco UDLDP) LLDP/LLDP MED	
Green Energy	IEEE 802.3az (Energy Efficient Ethernet) Fanless (10P, 10P-PL & 28P)	

Item	S4200-10P-SI	S4200-10P-PL-SI
	LED Shut-off	

Typical Application

Gigabit access in SMB network



Order Information

Product	Description
S4200-10P-SI	L2 Gigabit Intelligent Ethernet Switch with 8*10/100/1000Base-T and 2*100/1000Base-SFP ports, 100-240VAC Power Input
S4200-10P-PL-SI	L2 Gigabit Intelligent Ethernet PoE Switch with 8*10/100/1000Base-T and 2*100/1000Base-SFP ports, 100-240VAC Power Input. 30w POE+ Supported. PoE output 70W